



model **7620**
Eyewashes

FEATURES & BENEFITS

FINISH

The stainless steel construction is rugged enough for any industrial application, and the polished surface is cosmetically suited for any professional office setting.

THERMOSTATIC PROTECTION

Thermostatic protection that will protect the user from water over 100°F by shutting off the eyewash.

EYEWASH

AXION™ eyePOD™ eyewash head (patent pending) uses an inverted directional laminar flow to sweep contaminants away from the vulnerable nasal cavity.

INSTALLATION

Easy to install on a wide variety of sink faucets (not included) using a standard 55/64-27 thread faucet connection, along with three additional adaptors provided (15/16-27 male, 13/16-27 male and 13/16-24 female).

ACTIVATION

Easy one motion rotation to activate/deactivate the use of the unit.



OPTIONS

- ❑ Tempered Water Blending Systems: Model TWBS.EWE; lead-free emergency valve thermostatically mixes hot and cold water to provide a safe fluid supply for emergency eyewash equipment, with a flow rate of 12 gpm.
- ❑ Tempered Water Blending Systems: Model 9201EFE; emergency valve thermostatically mixes hot and cold water to provide a safe fluid supply for emergency eyewash equipment, with a flow rate of 12 gpm.

To see all options for this model, visit www.hawasco.com

SPECIFICATIONS

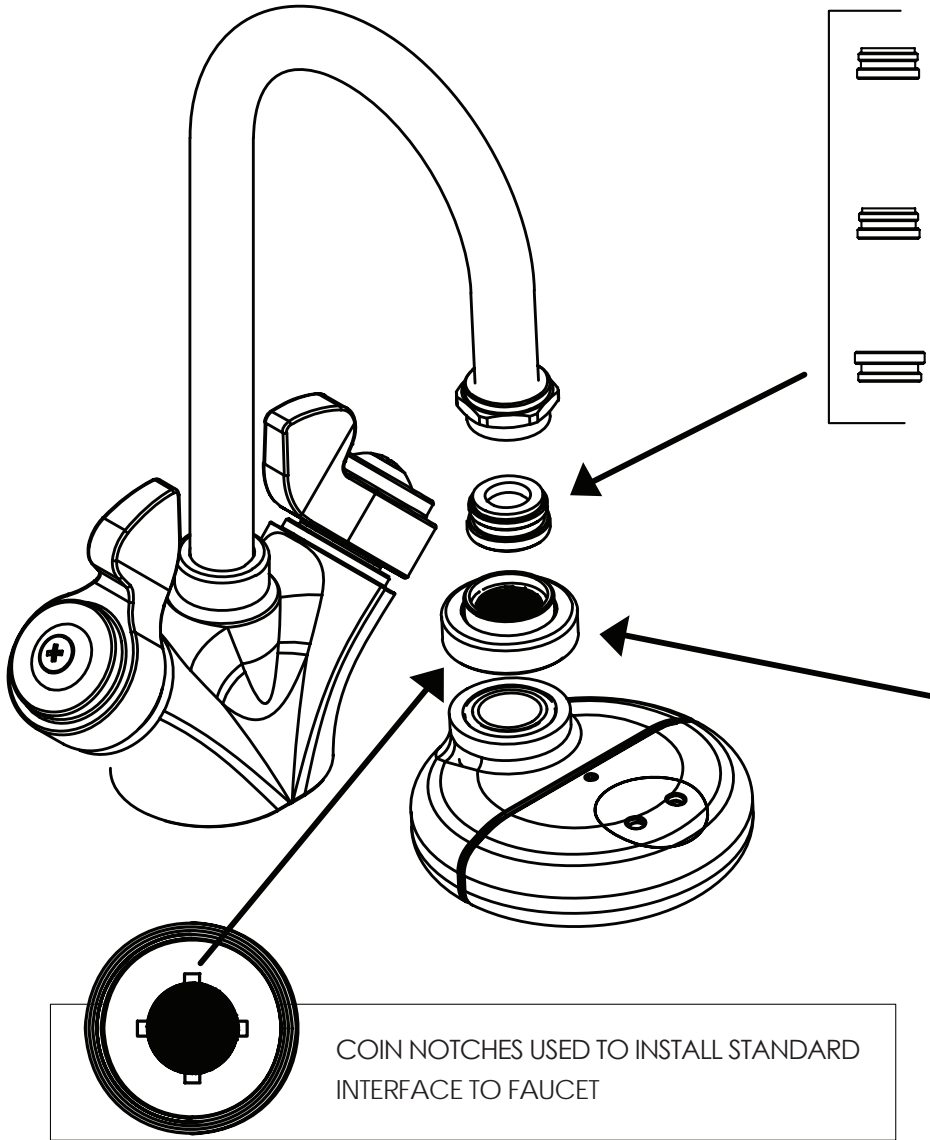
Model 7620 AXION™ eyePOD™ faucet mounted eyewash (patent pending). Constructed of stainless steel with a polished finish, the unit shall feature inverted directional laminar flow which achieves zero vertical velocity supplied by an integral .9 GPM flow control, which supplies a .5 GPM aerator. The standard faucet connection is 55/64-27 female thread, with the optional aerators adapting this size to; 15/16-27 male, 13/16-27 male and 13/16-24 female. A thermostatic shutoff is used for water temperatures over 100°F. Operating pressure; 30 - 90 psi.

APPLICATIONS

Where safety is of the utmost importance and the eyes of any person may be exposed to injurious or corrosive materials, suitable facilities for quick flushing and cleansing of the eyes be provided within the work area for immediate emergency use.

Model is certified by CSA to meet ANSI Z358.1 and ASME A112.18.1/CSA B125.1 standards for Emergency Eyewash and Shower Equipment. Product is compliant to NSF 61, California Health and Safety Code 116875 (AB 1953) and NSF/ANSI 372, along with all current Federal Regulations for the disabled including those in the Americans with Disabilities Act.





SUPPLIED WITH 3 COMMON
FAUCET ADAPTERS TO ALLOW
UNIT TO WORK WITH ALMOST
ANY FAUCET

STANDARD INTERFACE
WITH LOCKNUT
(will fit most faucets)

COIN NOTCHES USED TO INSTALL STANDARD
INTERFACE TO FAUCET